

LINE 12



Well-being Bright

Comfortable Spacious

lax
rm



Indirect Lighting for you

12480lm create comfortable ambient lighting

Direct lighting for your task

Max 1200lux on desk surface make any objects clear and distinct



Minimalist design integrates into any office space



Beyond BS EN 12464-1:2021¹

Item	LINE	GB50034-2013	EN12464-1:2021
Desk illumination	3000Lux	> 500Lux	> 300Lux
R60	≥0.7	≥0.6	≥0.7
CRI	93	≥80	≥90
R9	80	–	–
Rf	91	–	–
Rg	101	–	–
UGR	12	≤19	≤19
Flicker	High Frequency Exemption	–	3.2%
Bluelight	RG0	RG0	RG0

¹ China Standard for lighting design of buildings GB50034-2013

² Light and lighting - Lighting of work places EN12464-1:2021



The highest color quality at the highest efficacy

CRI93 Ra96 R9 80 Rf 91 Rg 101



Eyes strain?

Indirect 12480lumens wash ceiling evenly above each workstation in batwing pattern which reduce visual fatigue

A man in a white button-down shirt is shown from the chest up. He is holding a pair of black-rimmed glasses in his right hand and covering his eyes with his left hand. He has a black watch on his left wrist. The background is a dimly lit room with a large green plant and a warm, glowing light source in the upper right corner.

Glare and uncomfortable?

200pcs precise optic UGR<9



Meet every team member needs no matter you are 20 or 50 years old¹

Desk illumination level: Max1200lux Min 50lux

¹ 、 Peter R. Boyce. Human factors in Lighting(third edition) M New York:CRC Press 2014.487-519

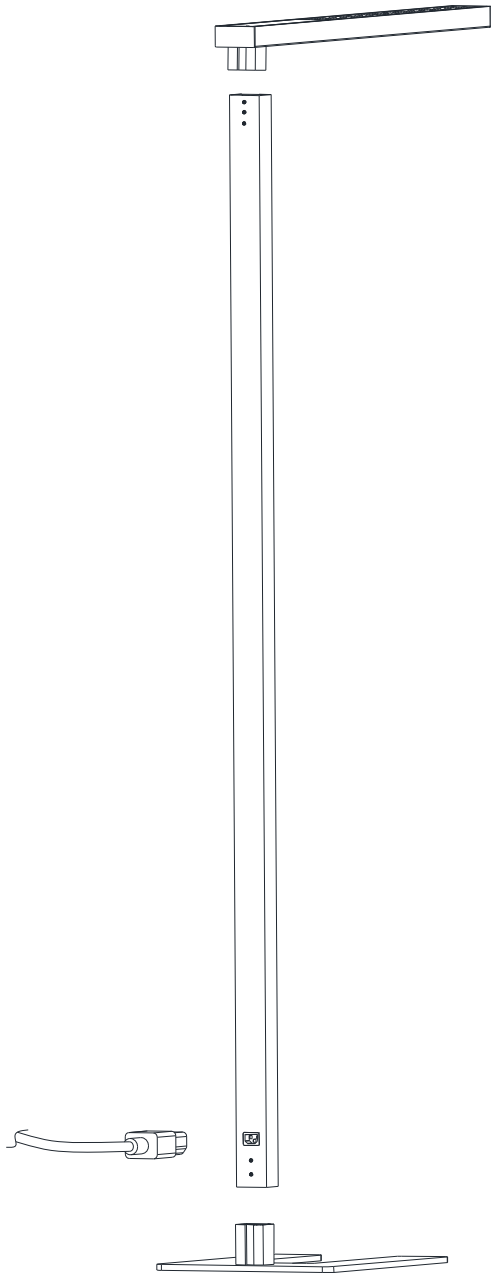
Touch dimming

Touch briefly to switch on and off in your seat
Press and hold to adjust brightness
Display dimming percentage
Built-in memory function
Start to previous function when switched on





Automatic switching on and off lighting via PIR sensor



Simple and quick to assembly or disassembly with 1 minute

5 years warranty

240 pcs precise optic
1920 pcs big-sized chip
High quality PCB with 2 ounce copper layer and $2.0W/(m \cdot K)$
TRIDONIC Driver
3M VHB 4950 tape
DYMAX coating
Mitsubishi PC
WAGO connector
Aluminum frame

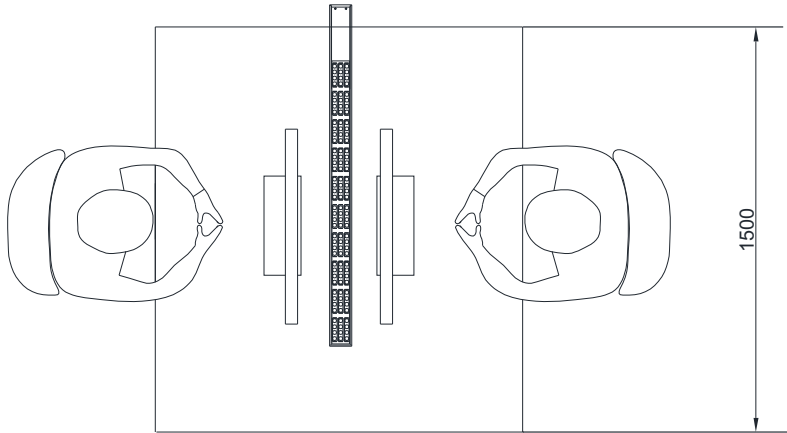
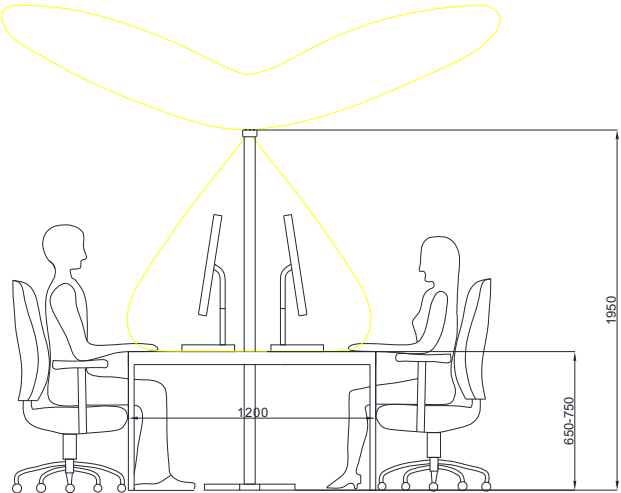




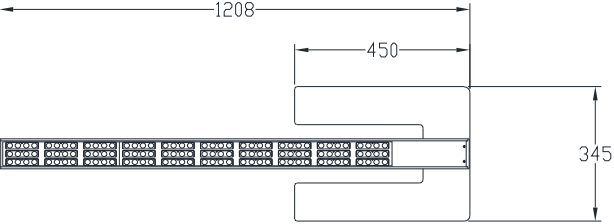
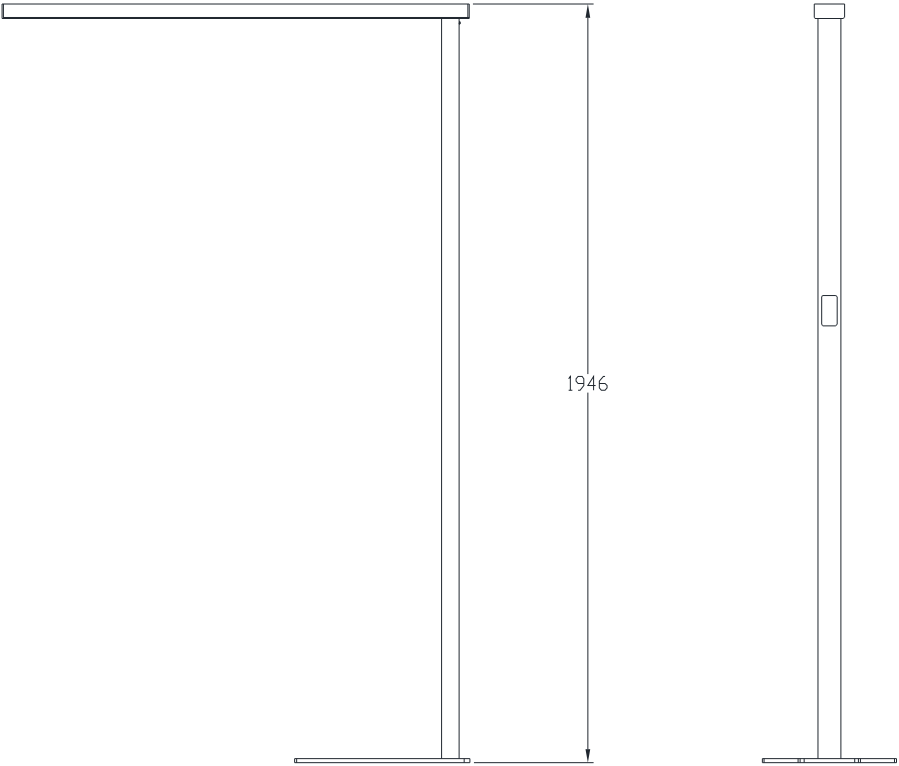




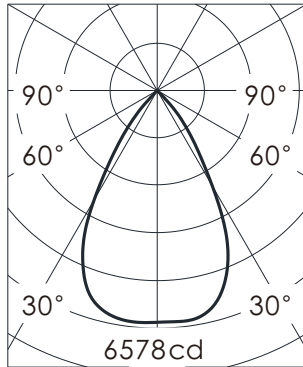
Conditions of Use



Dimension



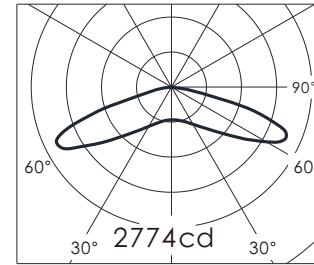
Lighting distribution



View angle : 64°

Height(m)	Illumination (lx)	Diameter (m)
1	3906	1.13
2	977	2.27
3	435	3.40
4	244	4.54
5	157	5.67

Direct luminous flux: 3286lm



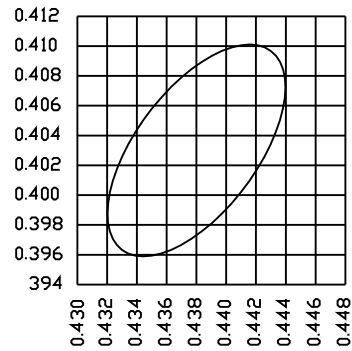
View angle : 160°

Height(m)	Illumination (lx)	Diameter (m)
1	75.5	13.98
2	18.8	27.96
3	8.5	41.94

Indirect luminous lux: 10714lm

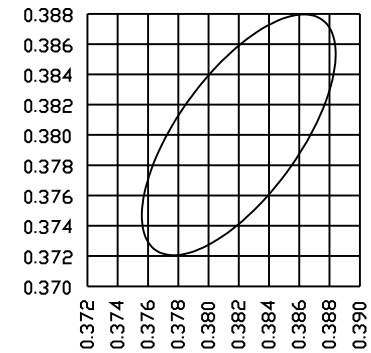
Bin standard

ANSI C78.377



BIN:30A

Centred x	y	Nominal CCT (K)	CCT Range(K)	MacAdam ellipse
0.4338	0.403	3000	2865-2940	3SDCM



BIN:40A

Centred x	y	Nominal CCT (K)	CCT Range(K)	MacAdam ellipse
0.3818	0.3797	4000	3900-4175	3SDCM

Electrical Characteristics

Voltage Range(V)		22~26
Power /pc (W)	Indirect Direct	96 20.5
Driver		Integrated
Dimable		Touch
Flicker		High frequency

Optical Characteristics

Light distribution		Direct/Indirect
Luminous lux (lm)		3286/12480 Direct/Indirect
lighting source(lm/w)		160/130 Direct/Indirect
Luminare(lm/w)		130/110 Direct/Indirect
Color quality		3000K: CRI93 Ra95 R9 68 Rf 90 Rg 101 4000K: CRI94 Ra96 R9 80 Rf 92 Rg 101
View angle		Indirect 160° Direct 64°
MacAdam Step		3SDCM
UGR		9
Color temperature		3000K/4000K

Physical Characteristics

Color		White
Composition		Optic Aluminum LED
Case		Aluminum
Dimension (mm)		1206×450×1950
Net weight(kg)		15.6

Dependability

Warranty		5 years
Lifespan > 50.000h(Tc=85°C)		L80B50-50.000h(Tc=85°C)
IP		53
Certificate		CE RoHS
Luminare Class		II
IK		Ik03
Temperature		-20 ~ +40°C

Standards&Certificates

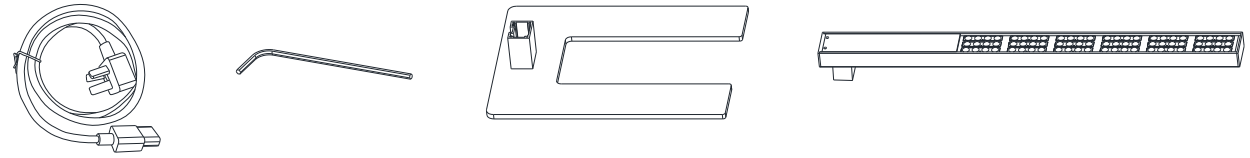
Integrating Sphere Test	IES LM79 (lumen,CCT,CRI,XY,SDCM,wave length)
Photometric Distribution Test	IES LM79
Aging Test	IES LM84&IES TM28
Ambient Temperature Test	UL1598&UL2388&IEC60598-1&IEC60598-2-21
High temperature High Humidity Test	UL1598&UL2388&IEC60598-1&IEC60598-2-21
Bending Test	500 cycles
Vibration Test	UL2388>750cycles
Tensile Test	Defined by Manufacturer
Drop Test	UL1598&UL2388&IEC60598-1&IEC60598-2-21
IK Test	IEC62262
Fire-Rating Test	UI94
UV Test	ASTMG154,ISO4892-3,UVA@340nm IEC60529
Salt Spray Test	IEC68-2-11
Thermal Shock Test	Non-lighting -40°C-55°C (25mins) with 5mins , 100 cycles
High temperature test	55°C

Packaging



	Qty	Dimension (mm)	Net weight(kg)	Gross Weight(kg)
Luminare head	1	1246*118*110	4.8	5.7
Luminare pole	1	490*385*110	3.1	4.6
Luminare base	1	70*55*1920	7.6	9.3

Installation



Accessories



Steps

